

BINKS®

New **CENTURY™ FRP**
SYSTEMS

Gel Coat & Resin Laminating



**Advanced technologies and
equipment for today's MACT-
compliant composites applications**

The Binks Century FRP Equipment Platform

The addition of the new Century Pump to the Binks LEL, or “Low Emission Laminator” technology provides a complete selection of FRP spray guns, spray tips, air nozzles and mixing valves for the non-atomizing application of resins and gel coats used in open molding processes.

MACT^{*1} Compliance

Of critical importance to composites manufacturers is the use of EPA Compliant “Maximum Achievable Control Technologies” in their operations. One such technology used in Binks Century LEL Spray Guns is non-atomizing resin application, or “NARA”^{*2}. Through extensive testing using guidelines from the ACMA’s Styrene Emissions Test Protocol, Binks Century LEL guns have been tested and all been proven to emit monomer at or below the levels predicted equations per EPA guidelines.

Binks Century LEL Spray Gun product line meets or exceeds the EPA’s definition of Non-Atomizing Mechanical Application per the Composites NESHAP.

The complete emissions test report is available from Finishing Equipment Americas upon request.

*1 Maximum Achievable Control Technology

*2 Non-atomizing Resin Application



Binks Offers the Very Best Production Systems

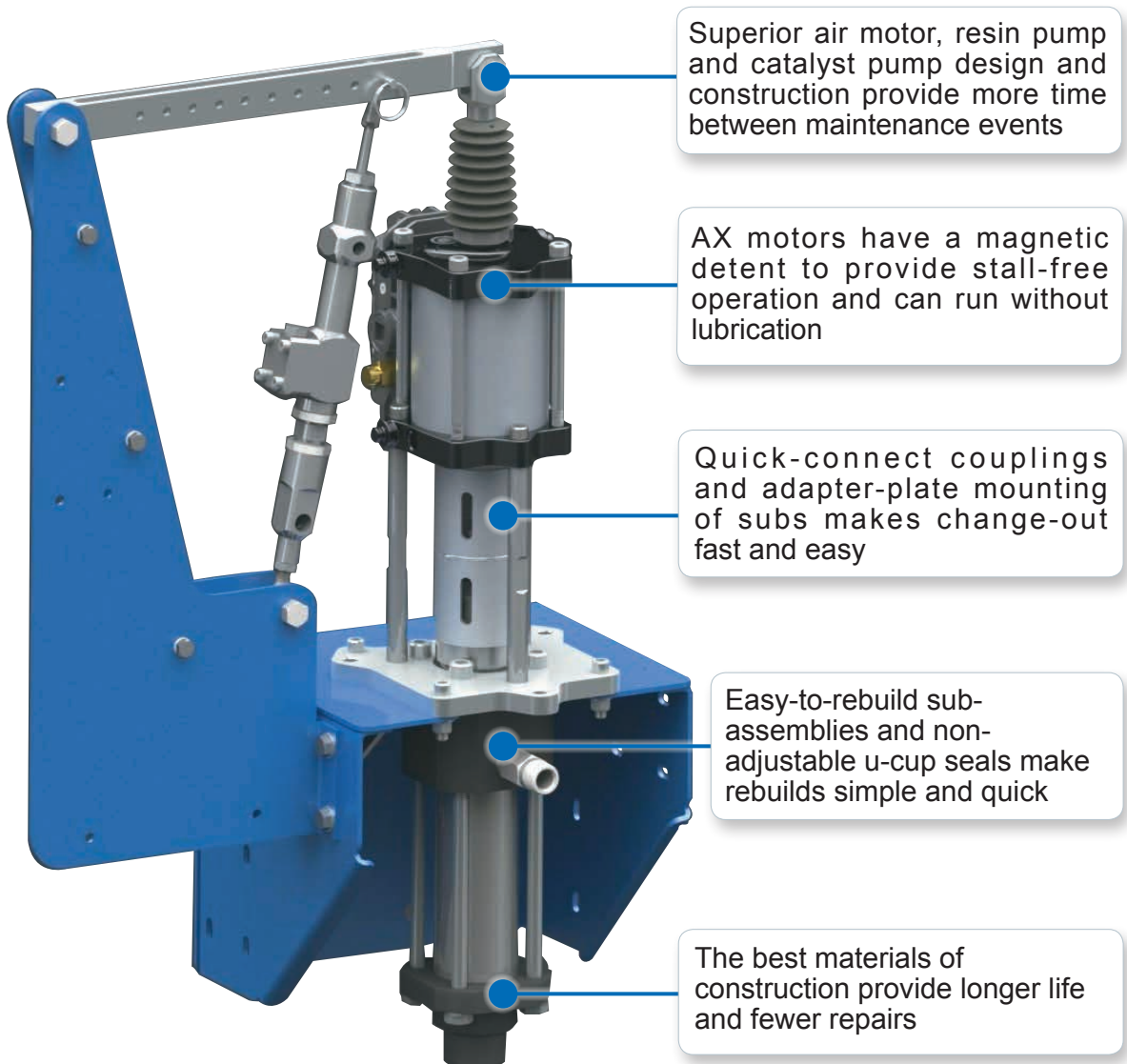
Our total commitment to the composites and protective coating industries provides our customers with many production and environmental advantages. Our full line of MACT Compliant LEL systems, spray guns, and components consistently delivers the kind of high quality, bottom-line results needed by manufacturing today. Users can expect:

- Benefits from lower overspray
- Increased transfer efficiency results in material savings
- A cleaner workspace and lower worker exposure to fumes and mist
- Less frequent booth filter changes
- Benefits from lower fluid pressure
- Less pump wear - seals, other sliding parts
- Lower air motor pressure results in lower compressed air consumption



New Design Optimized for your Application

The Binks Century resin and catalyst pump features several new innovations, designed to provide dependable, long lasting performance under the most demanding production environments, including:



Standard systems include:

- 1 6.5:1 with internal mix Century chop gun
- 2 6.5:1 with external mix Century wet out resin gun
- 3 6.5:1 with external mix Century chop gun
- 4 6.5:1 with internal mix Century wet out gun
- 5 17:1 with external mix Century gel coat gun

Other configurations available; please contact your Binks representative.

	17:1 Ratio	6.5:1 Ratio	102-3610 External Mix Century Gel Coat Gun	102-3600 External Mix Century Wet Out Resin Gun	102-3800-1 Internal Mix Century Wet Out Gun	102-3655 External Mix Century Chop Gun	102-3825-1 Internal Mix Century Chop Gun	Small Cart	Wall-Mounted	Wall-Mounted with Boom	Cart, Mast, & Boom	5 Gallon Siphon Kit	55 Gallon Siphon Kit	Heater Kit	25 Foot Hose Set
PART NUMBER															
CX2017HC-B2M1S25	■		■					■				■		■	■
CX2017HC-B2M1T25	■		■					■					■	■	■
CX2017HC-00M0S00	■								■			■			
CX2017HC-00M0T00	■								■				■		
CX2006HC-J2M0T25		■		■				■					■		
CX2006HC-L2M0T25		■			■			■					■		■
CX2006HC-L3M0T25		■			■						■		■		■
CX2006HC-L3M0T25		■				■					■		■		■
CX2006HC-U3M0T25		■					■				■		■		■
CX2006HC-00M0T00		■							■				■		■
CX2006HC-01M0T00		■								■			■		■

Specifications

	CX2006HC	CX2017HC
Pressure Ratio	6.5:1	17:1
Flow Rate at 60 cycles per minute	2.0 GPM (7.6 l/min)	
Supports	1 Century Spray Gun—"62" LEL tip or .036" AA tip	
Displacement per cycle	4.26 oz (126 cm ³)	
Inlet Fluid Connection	1" NPT (f) or 1¼" NPT (m)	
Outlet Fluid Connection	1/2" NPT (f)	
Air Connection	3/8" NPT (f)	
Wetted Materials Resin Pump	Anodized Aluminum, Plated Carbon Steel, Stainless Steel, Hard Chrome, Nylon, PTFE, UHMWPE, Tungsten Carbide	
Wetted Materials Catalyst Pump	Stainless Steel, Silicone Rubber, PTFE, UHMWPE	
Max Fluid Pressure with included air motor	750 psi (52 bar)	1970 psi (136 bar)
Max Air Inlet Pressure	116 psi (8 bar)	
Max Recommended Cycle Rate	Up to 40 Cycles/minute—not continuous	
Noise Level	96 dB(A)	97 dB(A)

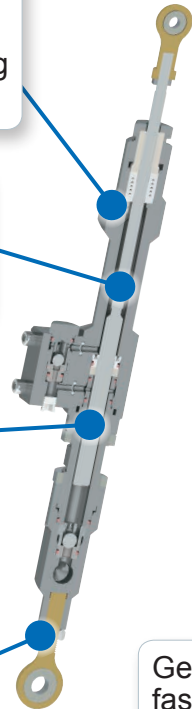
All 316 stainless steel construction for ultimate chemical compatibility and long life.

Adjustable PTFE upper packings provide long life without weeping

Stepped displacement rod design means only one wear part — simple and reliable

Easier maintenance with easily accessible packings and seats. No “tiny” parts to handle.

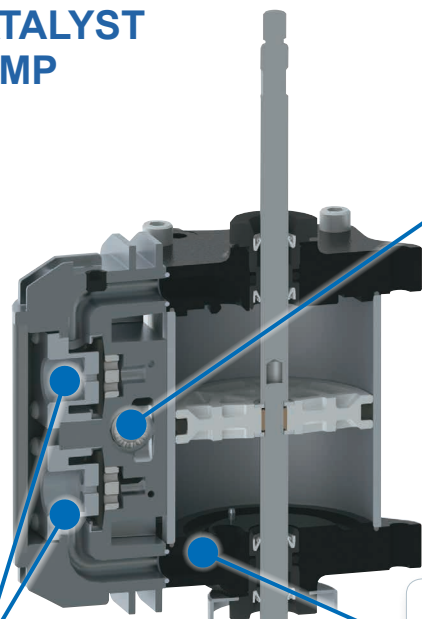
CATALYST PUMP



Get the air out fast with quick dump valves

Quick Switchover with Patented Magnetic detent spool valve

AIR MOTOR



Minimize pump force losses with poppet valves

Easy operational success with durable fluid section

FLUID SECTION



Get a responsive fluid section with ball checks optimized for medium to heavy viscosity materials

17:1 External Mix Gel Coat System



FRP Spray Gun Selection Guide

MACT-compliant low emission laminators

- Uniform, consistent, reliable mix
- Internal or External mix of catalyst and resin available
- One-touch flush for easy cleaning
- Cartridge resin needle and seat assembly
- Resin cartridge needle assembly changes out in less than five minutes

This chart will help you quickly assess which Binks spray gun is suitable for your specific application. First, decide what type of spray gun you need. Then, under the heading that meets these criteria, find the usage description that best matches your application.



Part No. 102-3610
Binks Century LEL External Mix Gel Coat Gun is renowned for its easy operation and low maintenance.



Part No. 102-3655
Binks Century LEL External Mix Chopper gun



Part No. 102-3800-1
Binks Internal Mix Century LEL Wet Out Gun

EXT MIX RES
EXT MIX GEL
INT MIX RES

	Gel Coat	Wet-Out	Chop	Grani-Coat	Filled Resin	2K Adhesives	External Mix	Internal Mix	Touch-Up	Conventional Spray	HVLP Spray
A-AA AIR ASSISTED AIRLESS HVLP											
102-2400		■					■				■
102-2500	■						■				■
102-2545		■			■		■				■
102-2455			■				■				■
LEL LOW EMISSIONS LAMINATOR											
102-3600		■					■				
102-3610	■						■				
102-3655			■				■				
102-3650		■			■		■				
102-3665			■		■		■				
102-3800-1		■						■			
102-3800-2		■						■			
102-3825-1			■					■			
102-3825-2			■					■			
102-3835-1			■		■			■			
102-3835-2			■		■			■			

FRP Gun Information

Please specify spray tips when ordering Binks FRP spray guns.
The tip chart below identifies respective tips that you will need to include with your order.

HOW TO ORDER BINKS CENTURY SPRAY GUNS							
PROCESS	SPRAY GUN	PART #	CENTURY GUN DESCRIPTION	PART SHEET	SEAT	FEED TUBE CONNECTION	TIP SERIES
	WET-OUT	102-3800-1	LEL RESIN 1" MIXER	77-2914	PLASTIC	1/4" NPSM	118
INTERNAL	WET-OUT	102-3800-2	LEL RESIN 2" MIXER	77-2914	PLASTIC	1/4" NPSM	118
MIX GUNS	CHOPPER	102-3825-1	LEL RESIN 1" MIXER	77-2914	PLASTIC	1/4" NPSM	118
FOR	CHOPPER	102-3825-2	LEL RESIN 2" MIXER	77-2914	PLASTIC	1/4" NPSM	118
RESINS	CHOPPER	102-3835-1	LEL FILLED RESIN 1" MIXER	77-2914	CARBIDE	3/8" NPSM	118
	CHOPPER	102-3835-2	LEL FILLED RESIN 2" MIXER	77-2914	CARBIDE	3/8" NPSM	118
	WET-OUT	102-2400	A-AA HVLP	77-2520	PLASTIC	1/4" NPSM	108
EXTERNAL	WET-OUT	102-3600	LEL RESIN	77-2772	PLASTIC	1/4" NPSM	118
MIX GUNS	WET-OUT	102-3650	LEL RESIN	77-2772	CARBIDE	3/8" NPSM	118
FOR	CHOPPER	102-2455	A-AA HVLP	77-2520	PLASTIC	1/4" NPSM	108
RESINS	CHOPPER	102-3655	LEL RESIN	77-2772	PLASTIC	1/4" NPSM	108
	CHOPPER	102-3665	LEL FILLED RESIN	77-2772	CARBIDE	3/8" NPSM	108
EXTERNAL	GEL-COAT	102-2500	A-AA HVLP	77-2520	CARBIDE	1/4" NPSM	108
MIX GUNS	GEL-COAT	102-2545	VINYL ESTER A-AA HVLP	77-2753	CARBIDE	3/8" NPSM	108
FOR GEL-COAT	GEL-COAT	102-3610	LEL GEL-COAT	77-2772	CARBIDE	1/4" NPSM	118

BINKS®
CFT Ransburg Japan KK

15-5, Fukuura 1-chome, Kanazawa-ku, Yokohama, Kanagawa Japan 〒236-0004
TEL : +81-45-785-6378 / FAX : +81-45-785-6517

<http://www.carlisleleft.co.jp>

©BINKS is a registered trademark of Carlisle Fluid Technologies.

©2017 Carlisle Fluid Technologies

17.5-1-0k(17.5)